

SONY.

Car Stereo Service Bulletin

Sony Service Company - Technical Services
A Division of Sony Corporation of America
Sony Drive, Park Ridge, New Jersey 07656

Model: CDX-5040

No. 233

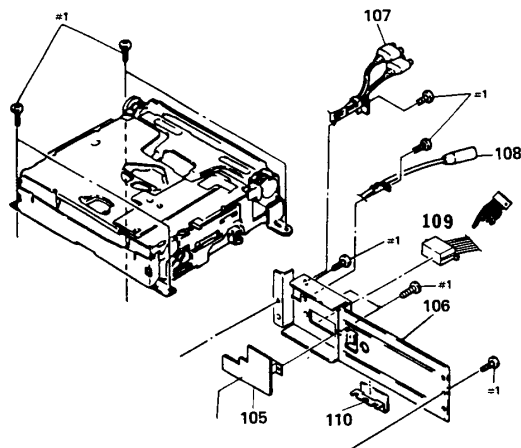
Subject: Service Manual Addition: Ref. Number For Wire
Harness

Date: May 29, 1992

Symptom:
(**)

The reference number for the wire harness which includes the accessory, amp remote, and antenna remote lines is missing from the Service Manual.

Solution: Please add the following reference number on page 37 of your Service Manual:



REF NUMBER	DESCRIPTION	PART NUMBER
109	WIRE HARNESS	1-590-764-11

Reference: FPR N0973

PRINTED IN U.S.A.
CSA-14592-3

CD Player
CSA-14